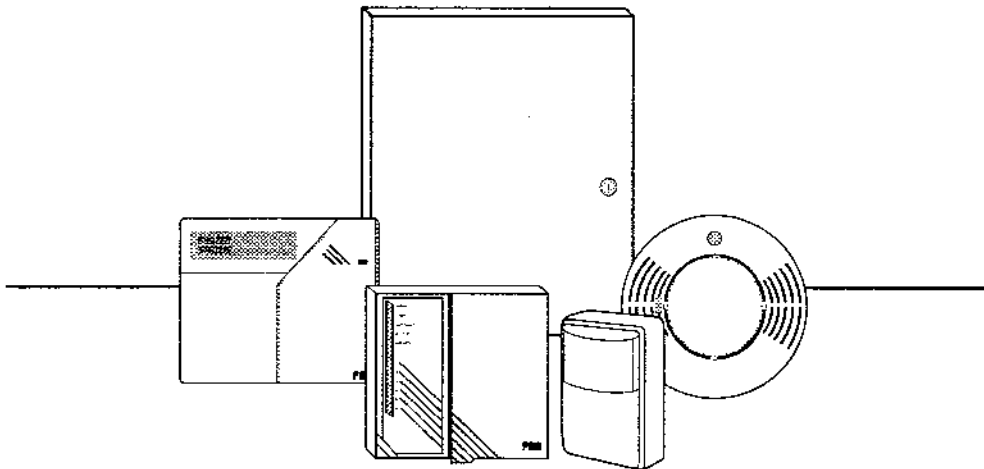


XL-2T

Security System

User Guide



FBI 
FIRE BURGLARY INSTRUMENTS, INC.

Table Of Contents

QUICK REFERENCE	3
INTRODUCTION	4
SYSTEM REFERENCE	5
TURNING THE SYSTEM ON	7
TURNING THE SYSTEM OFF	10
USER CODES	11
MISCELLANEOUS COMMANDS	12
TESTING THE SYSTEM	14
RECOMMENDATIONS ON SMOKE DETECTORS	15
EMERGENCY EVACUATION	16
GLOSSARY	17
FCC STATEMENT	20
TELEPHONE OPERATIONAL PROBLEMS	20
LIMITATIONS OF THIS ALARM SYSTEM	21
LIMITED WARRANTY	23

TO TURN SYSTEM ON

1. Check to make sure the system is ready, The On/Off (ARM) light will light (Green **READY** light is lit').
2. Enter your 4-digit user code.
3. Exit through a door designated by your installer as an exit/entry door.

TO TURN SYSTEM OFF

1. Enter through a door designated by your installer as an exit/entry door
2. Enter your 4-digit user code.
3. The system On (ARM) light will go out.

TO TURN SYSTEM ON AND STAY INSIDE

1. Check to make sure the system is ready (Green **READY** light is lit').
2. Press .
3. Enter your 4-digit user code.

The On/Off (ARM) light and the **STAY** light will both light.

REMEMBER: You must turn the system Off if you want to open the door or leave the premises after the exit time has passed.

TO TURN THE SYSTEM ON: INSTANT MODE, AND STAY INSIDE

1. Check to make sure the system is ready (Green **READY** light is lit').
4. Press .
5. Press .
2. Enter your 4-digit user code.

The On/Off (ARM) light, the **INSTANT** light, and the **STAY** light will all be on.

TO RESET SMOKE DETECTOR

1. Enter your 4-digit user code twice.

† **READY** light is not available on all keypads.

Introduction

Congratulations on your decision to protect your home or business with the XL-2T security system. You have chosen a reliable, state-of-the-art security system that is remarkably easy to operate. Your system has been professionally installed by your local Security Company whose representative can explain the specifics of your system.

The keypad is the input and display device for your security system. The following keypad models can interact with your system. Your Security Company representative will suggest the model most appropriate for your premises and your needs.

SK-5LC - This keypad contains a Liquid Crystal Display (LCD) to indicate, on two lines of easy-to-read information, the status of all zones being monitored.

The XL-2T is listed by Underwriters Laboratories for Household Fire and Burglary applications.

Throughout this manual, the following conventions are used to represent the keystrokes required to perform the following functions.



Press Button labeled **STAY**.



Press Button labeled **BYPASS**.



Press Button labeled **INSTANT**.



Press Button labeled **CODE**.

Enter 4-digit user code.

Please keep your manual in a convenient location so you can refer to it if needed.

System Reference

ZONE DESCRIPTIONS

In the following table, enter a description of the area of protection for each zone.

Example: Zone 1 Windows on North side of building

Zone 4 Main entrance to building.

ZONE	DESCRIPTION
1	_____
2	_____
3	_____
4	_____
5	_____
6	_____
7	_____

Entry time _____ Door _____ Exit time _____

Entry time _____ Door _____

Exit time is the same for all designated entry/exit doors.

SEND-HELP ALERT

All keypads are equipped with emergency-pair keys. In order to activate the alert, both keys must be pressed at the same time. The type of keypad you have installed dictates which keys you press. Your installer will show you how to activate these emergency keys. The emergency keys used for all keypads are shown below.

The following **SEND - HELP ALERT** is programmed into my system:

KEYS	DESCRIPTION
[#] & [*] (Right [†])	_____
[7] & [9] (Left [†])	_____
[1] & [3] (Center [†])	_____

[†] Buttons on XL-4600SM keypad only

System Reference (cont)

USER CODE ASSIGNMENTS

In the following table, enter the names of the individuals assigned to each specific user id.

USER ID	ASSIGNED TO
1	_____ (MASTER USER *)
2	_____ (MASTER USER *)
3	_____
4	_____
5	_____
6	_____
7	_____
8	_____
9	_____
10	_____
11	_____
12	_____
13	Door Strike - Yes No If No _____ (If user 13 is not assigned to door strike, then any user can activate the door strike.)
14	Only Turns System On -Yes If No _____
15	Ambush/Duress Code -Yes If No _____

* Master Users can add, change, or erase other user codes.

MONITORING STATION INFORMATION

Account # _____
Telephone # _____

Turning The System On

IS THE SYSTEM READY?

You can turn the burglar portion of your security system on and off. Before you can turn the system on, it must be "ready." If you have a protected door open, or someone is moving in view of a motion detector, the system will not display "READY."

The system is ready if the **READY** light is on or if the display shows:

SYSTEM READY

TO TURN THE SYSTEM ON AND LEAVE

Enter your 4-digit user code.

The System On (**ARM**) light will go on or the display will show:

ON: AWAY

Exit through a door designated by your installer as an exit/entry door. You must leave within the exit time programmed by your installer. Refer to the reference sheet for the time that has been set for your system.

WHEN THE SYSTEM IS NOT READY

If the system is **not** ready to be armed, the **READY** light will be **off** and the zone lights will show which zone or zones are not ready. The following conditions will be indicated by the zone lights or described on the display:

Fast Blink Alarm
Slow Blink/Low Intensity Bypass
Slow Pulse Trouble
Solid On Not Ready

Example: If the **READY** light is **not** lit and the **Zone 1** light is **solid on**, an alarm sensor on Zone 1 is faulted. This might mean that a door is open or someone is walking in view of a motion sensor. Check all sensors on Zone 1 and resolve the problem. When all sensors are restored, the **READY** light will come on and the zone light will go out. In this example, the display shows:

SYSTEM NOT READY

and

NOT RDY ZONE 1
FRONT DOOR

Turning The System On (cont)

Determine which zone or zones are not ready, resolve the problem, and turn the system on normally. If the problem cannot be resolved, you may **bypass** the zone that is not ready. Bypassing should only be done if the problem on the zone cannot be resolved, OR if you intentionally wish to leave the zone off. For example, you would leave the zone off if you plan to keep the window open for ventilation. **Zones that are bypassed are not protected when the system is on.** See *Bypass* on the following page for a description of the procedure.

TO TURN THE SYSTEM ON AND STAY INSIDE

To turn the perimeter portion of your burglar alarm on and move around freely inside the premises, use the **STAY** mode.

Check to make sure the system is ready. When it is ready, press:

STAY followed by your user code.

When the system has been turned on successfully, the On/Off (ARM) light and the STAY light will be lit, or the LCD will display:

ON: STAY

REMEMBER: You must turn the system off if you want to open the door or leave the premises after the exit time has passed.

TO TURN THE SYSTEM ON IN INSTANT MODE AND STAY INSIDE

In **INSTANT STAY** mode, the perimeter portion of your burglar alarm system is on and the time delays are eliminated from your normal entry/exit door(s). All interior protection is off, so you are free to move around inside.

Check to make sure the system is **READY**. When it is ready, press:

INSTANT followed by
STAY followed by your user code.

When the system has been turned on successfully, the On/Off (ARM) light, the INSTANT light, and the STAY light will all be on, or the LCD will display:

ON: STAY INSTANT

NOTE: This system can be programmed by the installer for the **AUTOSTAY** feature which automatically bypasses interior zones if you arm the system and do not exit through a delay zone during exit time.

Turning The System On (cont)

TO TURN THE SYSTEM ON IN INSTANT MODE

In **INSTANT** mode, all alarm sensors including doors that normally have a delay to allow you to turn the system off will report an alarm immediately if activated. Check to make sure the system is ready. When it is ready, press:

INSTANT

followed by your user code.

When the system has been turned on successfully, the On/Off light and the Instant light will be on, or the LCD will display:

ON: INSTANT

TO BYPASS A ZONE

The Bypass function excludes a zone of protection from the security system until it is unbypassed (either by using the unbypass procedure or when you turn the system off). Bypassing can only be done while the system is turned off.

Press the **BYPASS** button. Then enter your user code and the zone number (1-7) to be bypassed, as follows:

BYPASS

followed by your user code[†] + **ZONE #**

[†] If the Quick Bypass feature has been enabled by the installer, the user code is not required when bypassing zones.

NOTE: Bypassed zones are **NOT** protected when the system is turned on. After the bypass command has been accepted, the keypad will sound one long beep, and the zone LED of the zone(s) bypassed will slowly blink, or the LCD will display:

BYPASS ZONE 01
FRONT DOOR

IMPORTANT: Temporary users (i.e., baby sitters, housekeepers, etc.) should not be shown the Bypass procedure.

TO UNBYPASS A ZONE

Pressing the **BYPASS** button returns a bypassed zone to normal operation. To unbypass a zone(s), repeat the bypass function as follows:

BYPASS

followed by your user code + **ZONE #.**

After unbypassing, the zone display will show the state of the zones.

Turning The System Off

When you turn the system off, you turn off only the burglar portion of your system; any smoke or heat detectors and panic keys will remain on. You must enter through a designated entry door and turn off the system within the time allowed. You can have different amounts of time for different entry points. See your system reference sheet for the times established for your system.

To turn your system off:

Enter your 4-digit user code.

If no alarms have taken place, the On/Off light (labeled **ARM**) will go off, or the display shows:

SYSTEM READY

If alarms occurred when the system was on, or if a trouble condition exists, the zone LED's will indicate it, as follows:

Fast Blink Alarm
Slow Blink/Low Intensity Bypass
Slow Pulse Trouble
Solid On Not Ready

or the LCD will display:

ALARM ZONE 1
FRONT DOOR

Burglary alarms will sound a steady tone at the keypad(s), and fire alarms will generate a pulsing sound.

IMPORTANT: If an intrusion has taken place while you were away, do not enter until the location has been checked. Call for help from a neighbor's house and wait there for the police.

After you have turned the system off with your user code, the LCD keypads will display this message:

ALM MEM ZONE 1
FRONT DOOR

To clear the display of alarm or trouble conditions and silence the audible alert:

Enter your 4-digit user code again.

TO ADD OR CHANGE A USER CODE

Users can be added or changed directly at the keypad. Your system can have up to 15 different user codes. Users #1 and #2 are the only users allowed to add or delete other user codes.

To add or change a user code, press the Code button followed by user #1 or user #2 of the 4-digit user code. Then enter the new user number and the new 4-digit user code. The keypad will beep after each digit is pressed.

	User #1 or #2 Code	User ID	New User Code
CODE	<input type="checkbox"/> <input type="checkbox"/> <input type="checkbox"/> <input type="checkbox"/>	nn	<input type="checkbox"/> <input type="checkbox"/> <input type="checkbox"/> <input type="checkbox"/>

Use the system reference sheet to record system users. On this sheet your installer will indicate if you have chosen to dedicate a user code to send an emergency Ambush or Duress signal. You may also have chosen to reserve one user code that is only allowed to turn the system on. This code will not be able to turn the system off.

TO DELETE A USER CODE

To delete a user, press the Code button followed by the 4-digit master user code. Enter the the user number, then press [#] to delete. For example, to delete user 3, do the following:

	Master User Code	User ID	# to delete
CODE	<input type="checkbox"/> <input type="checkbox"/> <input type="checkbox"/> <input type="checkbox"/>	03	#

NOTE: User #1, the master user, cannot be deleted but it can be changed using the ADD OR CHANGE user procedure.

THE ARM-ONLY CODE (Maid Code)

If you choose to have a code that cannot turn the system off, but can turn the system on, have your installer program this feature. If programmed, user code 5 will have System On capability only, and you can issue this code to a temporary user so he can secure the premises when he leaves.

Miscellaneous Commands

SEND HELP ALERTS

Your system can be programmed for 3 separate keypad Send Help alerts that would send an emergency signal to your central station. See the System Reference sheet to see which have been programmed for your system.

DURESS

Your system can be programmed to send an emergency signal to the central station if you are forced to enter the premises. If you choose to include this feature, User Code 15 is dedicated to this function, and must only be used under a duress circumstance.

QUICK ON (QUICK ARMING)

If programmed by your installer, Quick On, or Quick Arming, allows you to turn the system on to the AWAY mode without entering a user code.

NOTE: Turning your system Off always requires a valid user code.

Press [#], then [1].

QUICK FORCED ON

If programmed by your installer, Quick Forced On allows you to turn the burglar portion of your alarm system on to the AWAY mode, bypassing all zones that are not ready.

Press [#], then [2].

NOTE: A valid user code is still required to turn the system off.

NOTE: This feature is disabled on UL installations.

QUICK BYPASS

If you have Quick Bypass programmed for your system, you will not have to use your user code to bypass zones. The Quick Bypass procedure is:

BYPASS

ZONE (1 - 7)

NOTE: Bypassed zones are not protected when the system is turned on. After the bypass command has been accepted, the keypad sounds one long beep. The zone light of the bypassed zone(s) will slowly blink, or the display will show:

**BYPASSED: ZONE 1
FRONT DOOR**

NOTE: Temporary users (i.e. baby sitters, housekeepers, etc.) should not be shown the Bypass procedure.

Miscellaneous Commands (cont)

TURN CHIME ON/OFF

Chime is an optional feature that causes the keypad to chime when selected doors are opened while the burglary protection is off or disarmed.

Only your installer can program a zone for the Chime feature, but once programmed, you can turn Chime on or off to meet your daily needs.

To turn Chime on or off: Press [#], then [6].

SET AUTO ON TIME

Set Auto On Time lets you set the time your system will automatically turn on.

To activate Set Auto On Time: Press [#], then [5] [hour] [minute].

The readout keypad will prompt you for the required entries.

DOOR STRIKE

To activate door strikes:

Press [#], then [9], then [Door #]

(Note that the installer may have assigned User 13 as the only user that can perform the door strike function).

where the door number is as follows:

1 _____

3 _____

2 _____

4 _____

VIEW TIME

To view the time, press: [#] [7].

CURRENT TIME:
08:15AM

SET TIME

To set the time, press: [#] [3] [user 1 or 2 code] [hr₁] [hr₂] [min₁] [min₂] [mnth₁] [mnth₂] [day₁] [day₂] [year₁] [year₂]

(The user code is not required if so programmed by installer.)

TO VIEW AUTOARM TIME

To view the autoarm time, press: [#] [8] [user 1 or 2 code].

AUTOARM TIME:
05:00PM

(The user code is not required if so programmed by installer.)

Testing The System

SYSTEM TEST

It is recommended that you test your system once a week using the following procedure:

NOTE: If your system is monitored, contact your central station before you perform this test.

1. Turn your security system on.
2. Wait until your exit time is over. Then activate the system by opening a protected zone (for example: a window or door).
3. Confirm that the alarm sounding device (bell or siren) sounds. If your system is connected to a central station, the keypad will sound the ringback tone to confirm that the signal was received.
4. Turn the security system off.
5. Call the central station to tell them you are finished testing.

BATTERY TEST

It is recommended that you test your battery once a month. In order to test your backup/standby battery, the following procedure should be followed:

1. Unplug the transformer from the AC outlet by removing the restraining screw that secures the transformer to the wall. (**NOTE:** The screw is not present on the models sold in Canada.)
2. Observe that the AC indicator light on the keypad goes off.
3. Activate your alarm by performing the above SYSTEM TEST. Remember to contact your central station if your system is monitored.
4. Plug the transformer into the AC outlet and secure with the restraining screw. (**NOTE:** the screw is not present on the models sold in Canada.)

The National Fire Protection Association publishes a standard for fire warning equipment (NFPA publication #74). Further information can be obtained by contacting: NFPA Public Affairs Dept., Batterymarch Park, Quincy, MA 02269.

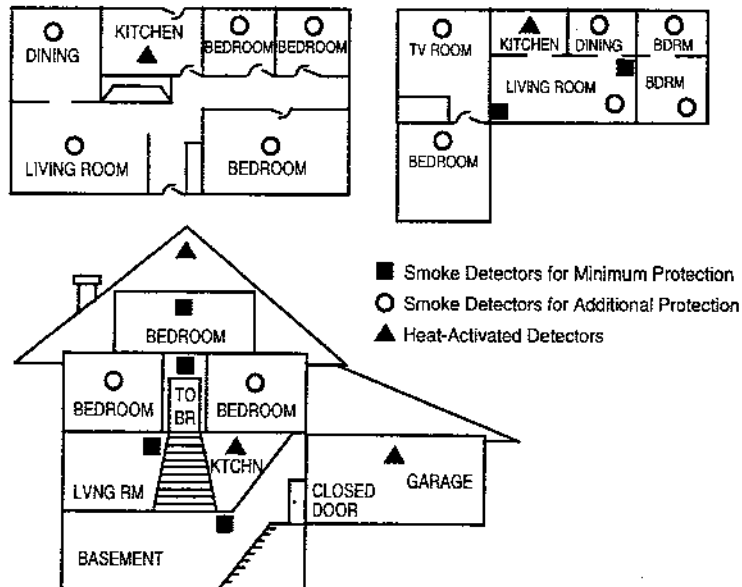
If you have any further questions about the operation of your system, please contact your alarm company.

Recommendations On Smoke Detectors

With regard to the number and placement of smoke/heat detectors, we subscribe to the recommendations contained in the National Fire Protection Association's (NFPA) Standard #74 noted below.

Early warning fire detection is best achieved by the installation of fire detection equipment in all rooms and areas of the household as follows: A smoke detector installed outside of each separate sleeping area, in the immediate vicinity of the bedrooms and on each additional story of the family living unit, including basements and excluding crawl spaces and unfinished attics.

In addition, the NFPA recommends that you install heat or smoke detectors in the living room, dining room, bedroom(s), kitchen, hallway(s), attic, furnace room, utility and storage rooms, basements, and attached garages.



Emergency Evacuation

Establish and regularly practice a plan of escape in the event of fire. The following steps are recommended by the National Fire Protection Association:

1. Position your detector or your interior and/or exterior sounders so that they can be heard by all occupants.
2. Determine two means of escape from each room. One path of escape should lead to the door that permits normal exit from the building. The other is an alternative route, such as through a window, should your normal escape path be unpassable. Station an escape ladder at such windows if there is a long drop to the ground.
3. Sketch a floor plan of the building. Show windows, doors, stairs, and rooftops that can be used to escape. Indicate escape routes for each room. Keep these routes free from obstruction and post copies of the escape routes in every room.
4. Assure that all bedroom doors are shut while you are asleep. This will prevent deadly smoke from entering while you escape.
5. Try the door. If the door is hot, check your alternate escape route. If the door is cool, open it cautiously. Be prepared to slam the door shut if smoke or heat rushes in.
6. When smoke is present, crawl on the ground. Do not walk upright, since smoke rises and may overcome you. Clearer air is near the floor.
7. Escape quickly; don't panic.
8. Establish a common meeting place outdoors, away from your house, where everyone can meet and then take steps to contact the authorities and account for those missing. Choose someone to assure that nobody returns to the house -- many die going back.

AC INDICATOR: Small green power on-off light between the center buttons on the keypad. When lit, the system is running on primary power; when not lit, the system is running off the backup battery.

ALARM: Sound from keypad or other horn/siren indicates a burglar alarm, fire alarm, or other condition you should be alerted to.

ARMED: See ON/OFF.

AWAY: A system setting that protects the premises while it is unoccupied. All burglary sensors are active.

BURGLARY/FIRE: The two major functions of a security system. Fire protection is always on and cannot be turned off. The burglary sensors protect against unauthorized entry into your premises. The burglary protection can be turned on and off and programmed for special levels of access and notification.

BYPASS FEATURE: The Bypass feature allows you to exclude a selected zone or zones from the burglar alarm protection.

BYPASS BUTTON: A button on the keypad used to activate the Bypass feature.

CENTRAL STATION: The signal monitoring center contacted by your security system over the telephone and/or other communication channels when alarms are activated if your system is programmed to communicate alarms off site. The central station will follow their procedures and your instructions for contacting the proper authorities when a signal is received.

CHIME FEATURE: An optional feature that causes the keypad to chime for one second when selected doors are opened when the burglary protection is off or disarmed. Once programmed by your installer, you can turn Chime on and off with #6.

DISARMED: See ON/OFF.

DURESS: Duress is a system feature that you **may** have programmed into your system. If someone forces you to turn your system off, entering the special Duress user code turns the system off and sends a silent duress emergency signal to the central station so personnel there can respond appropriately.

ENTRY DELAY: The period of time allowed between opening a designated entry/exit door and turning off the alarm system before the system will register an alarm condition. This is determined at the time of installation. Your system supports two entry times, allowing you to have a different length of time for different doors.

Glossary (cont)

EXIT DELAY: The period of time allowed between turning the system on and leaving through a designated exit/entry door before the system will register an alarm condition. This is determined at the time of installation.

INTERIOR ZONE: An interior zone is a group of points that protect the interior of your premises. You may want to turn the perimeter portion of your system on while leaving the interior zones off to allow you to open interior doors and pass interior motion detectors without causing an alarm.

KEYPAD: A keypad is your link into your system. It displays alarm and trouble messages, shows faulted zones and allows you to turn the system on/off by using the buttons. Your system will have one or more keypads.

ON/OFF: These terms refer to the burglary portion of your security system. There are several levels of operation that allow you to protect part of your premises while you remain inside. Fire sensors and other emergency and environmental features are always active and ready; they are not affected in any way by turning the burglary portion of your security system on or off. Other terms used are "armed" (system is on) and "disarmed" (system is off). See ON-INSTANT, ON-STAY, and STAY.

ON/OFF INDICATOR: Red light in the upper portion of the keypad labeled "Armed." When lit, some part of the burglar alarm system is on; when not lit, the burglary portion of the system is off.

ON-STAY: A system setting that turns on the perimeter protection of the building but allows movement throughout the interior.

PANIC BUTTON: A push button that allows you to signal the central station that you need immediate assistance. Your system has programmable Keypad Send Help Alerts that can also serve as Panic buttons.

PERIMETER ZONE: A perimeter zone is a group of points that protect the exterior of your premises. Your outside doors and windows would be programmed as a perimeter zone.

SENSOR: The actual alarm sensor, detector or device installed to detect an intrusion, fire, or environmental problem. Examples include: door contacts, window contacts, motion sensors, glassbreak sensors, smoke detectors, rate-of-rise heat detectors, temperature sensors, flood/water sensors, and carbon monoxide gas detectors.

Glossary (cont)

SILENT CONDITION: Most types of alarms and troubles alert you with the keypad sounder and the sirens, horns, or speakers located in your premises. The intent is to advise you of the alarm or trouble and allow you to respond promptly. The audible sounds also let an intruder know that he has been detected and will hopefully scare him away. In some circumstances, an audible alarm might put your life in danger. For that reason, those alarms are programmed as silent conditions. For an example, see DURESS.

SYSTEM: Your security system is composed of three main parts: 1) the control panel, which functions as the system brain and the link to the monitoring agency (central station); 2) the keypad(s), which provide you with system status and allow you to input commands; 3) security sensors such as door and window contacts, motion sensors, smoke detectors and other sensors as required to detect intrusion, fire, and other conditions for your premises.

USER CODE: A user code is a 4-digit code that is required to operate the system. The system supports up to 6 separate user codes. The system supports one master user who can add/delete other user codes. Two of the user codes may be dedicated to special functions as defined by your alarm company at the time of installation. (See the User Code List in the back of this manual)

ZONE: A zone is a collection of sensors with common characteristics grouped together for your operating convenience. The system will support 6 zones or groupings.

FEDERAL COMMUNICATIONS COMMISSION (FCC) STATEMENT

This equipment has been tested to FCC requirements and has been found acceptable for use. The FCC requires the following statement for your information:

This equipment generates and uses radio frequency energy and if not installed and used properly, that is, in strict accordance with the manufacturer's instructions, may cause interference to radio and television reception. It has been type-tested and found to comply with the limits for a class B computing device in accordance with the specifications in Subpart J Part 15 of FCC Rules, which are designed to provide reasonable protection against such interference in a residential installation. However, there is no guarantee that interference will not occur in a particular installation. If this equipment does cause interference to radio or television reception, which can be determined by turning the equipment on, the user is encouraged to try and correct the interference by one or more of the following measures:

If using an indoor antenna, have a quality outdoor antenna installed.

Re-orient the receiving antenna until interference is reduced or eliminated.

Move the receiver away from any wire runs to the control/communicator.

Plug the control/communicator into a different outlet so that it and the receiver are on different branch circuits.

If necessary, the user should consult the dealer or an experienced radio/television technician for additional suggestions.

The user or installer may find the following booklet prepared by the Federal Communications Commission helpful: "Interference Handbook." This booklet is available from the U.S. Government Printing Office, Washington, DC 20402.

The user shall not make any changes or modifications to the equipment unless authorized by the Installation Instructions or User Guide. Unauthorized changes or modifications could void the user's authority to operate the equipment.

TELEPHONE OPERATIONAL PROBLEMS

In the event of telephone operational problems, disconnect the control by removing the plug from the RJ31X wall jack. We recommend that your certified installer demonstrate disconnecting the phones on installation of the system. Do not disconnect the phone connection inside the control/communicator. Doing so will result in the loss of your phone lines. If the regular phone works correctly after the control/communicator has been disconnected from the phone lines, the control/communicator has a problem and should be returned for repair. If upon disconnection of the control/communicator, there is still a problem on the line, notify the telephone company that it has a problem and request prompt repair service. The user may not under any circumstances (in or out of warranty) attempt any service or repairs to the system. It must be returned to the factory or an authorized service agency for all repairs.

This control unit was manufactured under rigid quality standards and complies with all UL requirements for its intended use. Maintenance is best performed by your installing company with trained service personnel.

LIMITATIONS OF THIS ALARM SYSTEM

While this system is an advanced design security system, it does not offer guaranteed protection against burglary, fire, or other emergency. Any alarm system, whether commercial or residential, is subject to compromise or failure to warn for a variety of reasons. For example:

Intruders may gain access through unprotected openings or have the technical sophistication to bypass an alarm sensor or disconnect an alarm warning device.

Intrusion detectors (e.g. passive infrared detectors), smoke detectors, and many other sensing devices will not work without batteries, or if the batteries are not put in properly. Devices powered solely by AC will not work if their AC power supply is cut off for any reason, however briefly.

Signals sent by wireless transmitters may be blocked or reflected by metal before they reach the alarm receiver. Even if the signal path has been recently checked during a weekly test, blockage can occur if a metal object is moved into the path.

A user may not be able to reach a panic or emergency button quickly enough.

While smoke detectors have played a key role in reducing residential fire deaths in the United States, they may not activate or provide early warning for a variety of reasons in as many as 35% of all fires according to data published by the Federal Emergency Management Agency. Some of the reasons smoke detectors used in conjunction with the System may not work are as follows: Smoke detectors may not sense fires that start where smoke cannot reach the detectors, such as in chimneys, in walls, or roofs, or on the other side of closed doors. Smoke detectors also may not sense a fire on another level of a residence or building. A second floor detector, for example, may not sense a first floor or basement fire. Moreover, smoke detectors have sensing limitations. No smoke detector can sense every kind of fire every time. In general, detectors may not always warn about fires caused by carelessness and safety hazards like smoking in bed, violent explosions, escaping gas, improper storage of flammable materials, overloaded electrical circuits, children playing with matches, or arson. Depending on the nature of the fire and/or the location of the smoke detectors, the detector, even if it operates as anticipated, may not provide sufficient warning to allow all occupants to escape in time to prevent injury or death.

Passive Infrared Motion Detectors can only detect Intrusion within the designed ranges as diagrammed in their Installation Manual. Passive Infrared Detectors do not provide volumetric area protection. They do create multiple beams of protection, and Intrusion can only be detected in unobstructed areas covered by the beams. They cannot detect motion or intrusion that takes place behind walls, ceilings, floors, closed doors, glass partitions, glass doors or windows. Mechanical tampering, masking, painting or spraying, of any material on the mirrors, windows or any part of the optical system can reduce their detection ability. Passive Infrared Detectors sense changes in temperature; however, as the ambient temperature of the protected area approaches the temperature range of 90 degrees to 150 degrees Fahrenheit, the detection performance can decrease.

LIMITATIONS OF THIS ALARM SYSTEM

(cont)

Alarm warning devices such as sirens, bells or horns may not alert people or wake up sleepers who are located on the other side of closed or partly open doors. If warning devices sound on a different level of the residence from the bedrooms, then they are less likely to waken or alert people inside the bedrooms. Even persons who are awake may not hear the warning if the alarm is muffled by noise from a stereo, radio, air conditioner, other appliances, or by passing traffic. Finally, alarm warning devices, however loud, may not warn hearing-impaired people or waken deep sleepers.

Telephone lines needed to transmit alarm signals from a premises to a central monitoring station may be out of service or temporarily out of service. Telephone lines are also subject to compromise by sophisticated intruders.

However, even if the system responds to the emergency as intended occupants may have insufficient time to protect themselves from the emergency situation. In the case of a monitored alarm system, authorities may not respond appropriately.

This equipment, like other electrical devices, is subject to component failure. Even though this equipment is designed to last as long as 10 years, the electronic components could fail at any time.

The most common cause of an alarm system not functioning when an intrusion or fire occurs is inadequate maintenance. This alarm system should be tested weekly to make sure all sensors are working properly.

Installing an alarm system may make one eligible for lower insurance rates, but an alarm system is not a substitute for insurance. Homeowners, property owners and renters should continue to act prudently in protecting themselves and continue to insure their lives and property.

We continue to develop new and improved protection devices. Users of alarm systems owe it to themselves and their loved ones to learn about these developments.

LIMITED WARRANTY

Fire Burglary Instruments, Inc., a subsidiary of Pittway Corporation, and Pittway Corporation, its divisions, subsidiaries and affiliates ("Seller"), 149 Eileen Way, Syosset, New York 11791, warrants its security equipment (the "product") to be free from defects in material and workmanship for one year from date of original purchase, under normal use and service. Seller's obligation is limited to repairing or replacing, at its option, free of charge for parts, labor, or transportation, any product proved to be defective in materials or workmanship under normal use and service. Seller shall have no obligation under this warranty or otherwise if the product is altered or improperly repaired or serviced by anyone other than the Seller. In case of defect, contact the security professional who installed and maintains your security equipment or the Seller for product repair.

This one year Limited Warranty is in lieu of all other expressed warranties, obligations or liabilities. THERE ARE NO EXPRESS WARRANTIES, WHICH EXTEND BEYOND THE FACE HEREOF. ANY IMPLIED WARRANTIES, OBLIGATIONS OR LIABILITIES MADE BY SELLER IN CONNECTION WITH THIS PRODUCT, INCLUDING ANY IMPLIED WARRANTY OF MERCHANTABILITY, OR FITNESS FOR A PARTICULAR PURPOSE OR OTHERWISE, ARE LIMITED IN DURATION TO A PERIOD OF ONE YEAR FROM THE DATE OF ORIGINAL PURCHASE, ANY ACTION FOR BREACH OF ANY WARRANTY, INCLUDING BUT NOT LIMITED TO ANY IMPLIED WARRANTY OF MERCHANTABILITY, MUST BE BROUGHT WITHIN 60 MONTHS FROM DATE OF ORIGINAL PURCHASE. IN NO CASE SHALL SELLER BE LIABLE TO ANYONE FOR ANY CONSEQUENTIAL OR INCIDENTAL DAMAGES FOR BREACH OF THIS OR ANY OTHER WARRANTY, EXPRESS OR IMPLIED, OR UPON ANY OTHER BASIS OF LIABILITY WHATSOEVER, EVEN IF THE LOSS OR DAMAGE IS CAUSED BY THE SELLER'S OWN NEGLIGENCE OR FAULT. Some states do not allow limitation on how long an implied warranty lasts or the exclusion or limitation of incidental or consequential damages, so the above limitation or exclusion may not apply to you.

Seller does not represent that the product may not be compromised or circumvented; that the product will prevent any personal injury or property loss by burglary, robbery, fire or otherwise; or that the product will in all cases provide adequate warning or protection. Buyer understands that a properly installed and maintained alarm may only reduce the risk of a burglary, robbery, fire or other events occurring without providing an alarm, but it is not insurance or a guarantee that such will not occur or that there will be no personal injury or property loss as a result. CONSEQUENTLY, SELLER SHALL HAVE NO LIABILITY FOR ANY PERSONAL INJURY, PROPERTY DAMAGE OR OTHER LOSS BASED ON A CLAIM THE PRODUCT FAILED TO GIVE WARNING. HOWEVER, IF SELLER IS HELD LIABLE, WHETHER DIRECTLY OR INDIRECTLY, FOR ANY LOSS OR DAMAGE ARISING UNDER THIS LIMITED WARRANTY OR OTHERWISE, REGARDLESS OF CAUSE OR ORIGIN, SELLER'S MAXIMUM LIABILITY SHALL NOT IN ANY CASE EXCEED THE PURCHASE PRICE OF THE PRODUCT, WHILE SHALL BE THE COMPLETE AND EXCLUSIVE REMEDY AGAINST SELLER. This warranty gives you specific legal rights, and you may also have other rights which vary from state to state. No increase of alteration, written or verbal, to this warranty is authorized.



FIRE BURGLARY INSTRUMENTS, INC.

149 Eileen Way, Syosset, New York 11791

Copyright © 1998 PITTWAY CORPORATION



N9819V1 10/98
